

# MACRON

## dry + wet riser systems



### Dry/wet

Macron manufactures and supplies, for installation by others, all necessary components for dry and wet riser systems.

The dry riser system is only charged with water when in use, whereas the wet riser system is permanently connected to a water supply.

All components are manufactured strictly to relevant British Standards. They can be used in multi-storey buildings where a fire fighting system should be available for fire brigade use.

### features

- ▶ Boxes conform to BS 5041 Parts 4 and 5
- ▶ 1.5mm steel construction with 3mm thick architrave 38mm wide
- ▶ Red dry powder coated finish. Other colours available
- ▶ Lock and key and wired glass window fixed with glazing rubber
- ▶ Boxes for foam inlets and single breaching available on request



Horizontal pattern landing valve



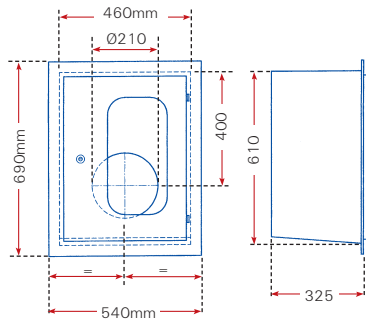
Oblique pattern landing valve



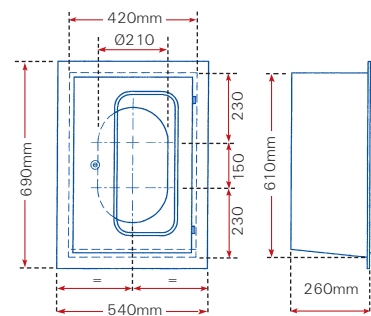
Inlet breaching



Dry riser landing valve box



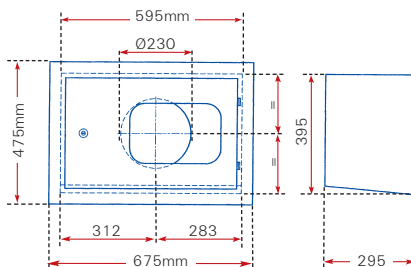
Dry riser landing valve box



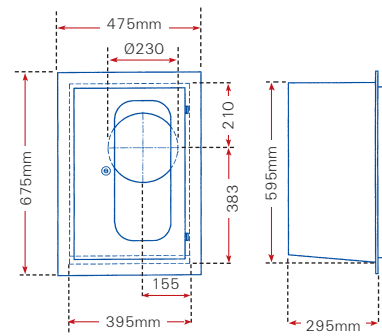
Wet riser landing valve box



Dry riser inlet box



Horizontal breaching box for twin outlet



Vertical breaching box

# MACRON

## dry + wet riser systems



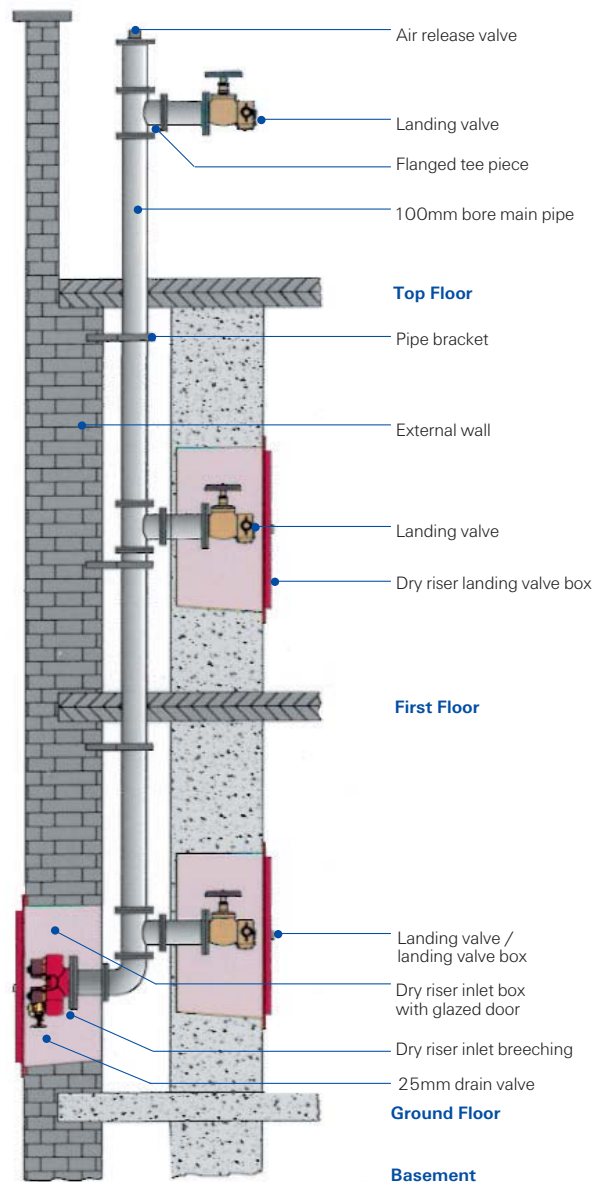
### Dry riser system

An inlet breeching at ground level provides the connection to the water supply and can be installed in a horizontal or vertical position. The breeching has a 102mm (4 in) screwed or flanged outlet and two 65mm (2<sup>1</sup>/<sub>2</sub>in) instantaneous male inlets fitted with non-return valves and drain valve as standard. It is housed in a dry riser box, normally recessed into the external wall of the building. Each draw-off point from the dry riser is fitted with a landing valve, situated in a recess or cabinet. Manufacture is in accordance with BS 5041 Part 2. The valves have instantaneous couplings to BS 336, for connection to the fire-fighting hose.

The head of the dry riser should be fitted with an air release valve which ventilates pipework as water is pumped in and closes automatically by water pressure.

### Wet riser system

This system is permanently connected to the water supply. Therefore inlet breeching and air release valves are not required. Each draw-off point requires a landing valve, with either a rubber metal seated valve. They are manufactured in accordance with BS 5041 Part 1. The instantaneous female outlet is to BS 336. Inlet connections may be screwed or flanged as required.



A dry riser system

Optional			
Part No.	Product	Part No.	Product
10250	2 Way Dry Riser Inlet Breeching	10251	4 Way Dry Riser Inlet Breeching
10246	2.5" Oblique Pattern Hydrant Valve (Flange: BS10 Table D)	11016	2.5" Dry Riser Gate Valve (inlet: 2.5" Female BSPT)
11045	2.5" Oblique Pattern Hydrant Valve (DN65 Flange: BS 4505 PN16)	10254	2.5" Dry Riser Gate Valve (Flange: BS 4505 PN16)
10247	2.5" Horizontal Pattern Hydrant Valve	11165	2.5" Dry Riser Gate Valve (Flange: BS10 Table D)

