

# foam inductors - variable inline

## Variable Inline Foam Inductors

Macron Safety Systems Variable Inline Foam Inductors provide a simple and accurate means of inducing foam compound into the water supply. Matched to a complete range of Macron Foam Branchpipes, the inductors are suitable for accurately proportioning all types of foam concentrate over a 1% to 6% range.

Manufactured in corrosion-resistant materials, the inductors incorporate a special by-pass valve to maintain accurate foam pick-up and have a design pressure loss of approximately 35%. A marine version is available for prolonged use with sea water.

Macron also offer a range of foam proportioning equipment for use in fixed foam systems.

### Fittings

Macron Safety Systems Inductors are normally supplied with 2<sup>1</sup>/<sub>2</sub>" light alloy instantaneous fittings. However, they are available with any suitable connectors or without fittings, the base connections at each end being 2" BSP male.

The units are supplied complete with foam pick-up tube. An optional on/off ball valve is available.

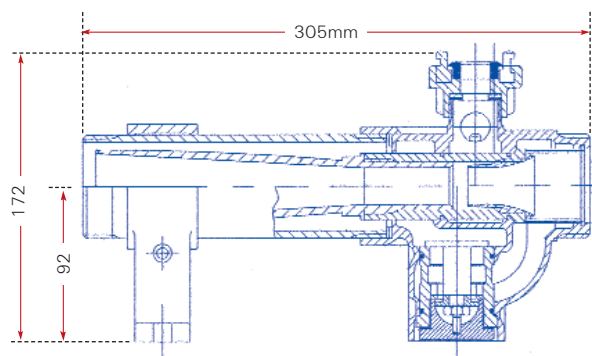


### features

- ▶ Corrosion resistant throughout
- ▶ By-pass valve maintains accurate foam pick-up
- ▶ For all types of foam concentrate over a 1% to 6% range
- ▶ Marine version available for prolonged use with seawater



IND 50 with British instantaneous couplings



### Technical Data

	IND50	IND100
Flow rate at 10 bar	200 lpm (44 gpm)	400 lpm (88 gpm)
Foam pick-up (%)	1 - 6	1 - 6
Working pressure (bar)	7 - 16	7 - 16
Weight (without adaptors)	3.4kg	3.4kg
Length (with adaptors)	415mm	415mm
Length (without adaptors)	300mm	300mm
Width	165mm	165mm