

# hosereels 55 series

# MACRON

## 55 Series

Macron's range of hose reels combine high performance and a rugged space saving design. Manufactured without compromise the 55 Series is renowned for its quality and long-term reliability derived from cutting edge technology and world-class production.

55 Series hose reels are available in manual or automatic versions. Manual versions are fitted with a ball or a gate valve. The automatic format actuates as the reel is rotated removing the need for the user to turn on the water supply – an important safety consideration. All models are available with 19mm or 25mm bore hoses.

The range includes fixed and swinging variants. Swinging hose reels are available in right and left hand formats suitable for surface or recess mounting.

55 Series hose reels are manufactured to BS EN 671-1:2001 and carry the CE mark through BSI notified body number 0086.

## features

- ▶ Wide range of sizes and capacities
- ▶ Easy 'hose-on' installation and maintenance
- ▶ Automatic or manual versions
- ▶ Bronze axles and nylon bearings for long life and dependability
- ▶ Supplied fully assembled
- ▶ Fixed reels available with flexible inlet piping
- ▶ Optional floor pedestals
- ▶ Offshore manual versions
- ▶ CE marked



Fixed hose reel



Surface mounted swinging hose reel



Hose nozzle interlock



Recessed swinging hose reel

# MACRON

## hosereels 55 series

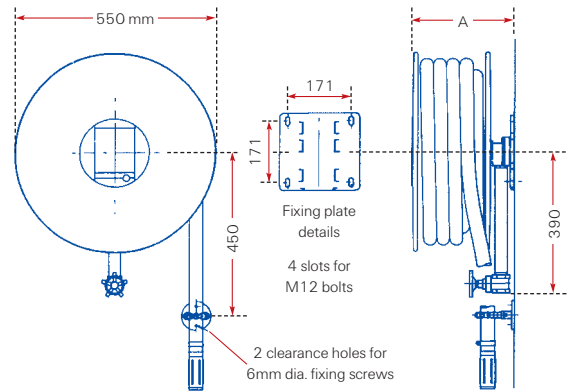


### Approval to BS EN 671-1:2001

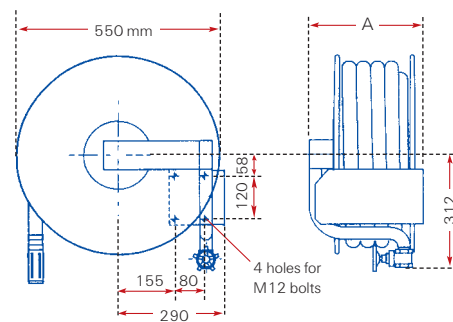
Macron hose reels carry the CE mark, issued by BSI notified body number 0086.

Macron hose reels are manufactured to BS EN 671-1:2001. In accordance with BS EN 671-1:2001, the latest European Standard that supersedes BS EN 671-1:1995, the maximum length of tubing that can be fitted to a reel is 30m of either 19mm or 25mm bore hose. Longer lengths of tubing can be supplied on request.

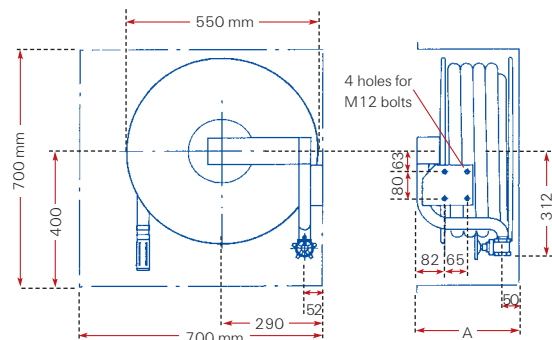
Fixed Hose Reels 55FH			
19mm (3/4")	25mm (1")	Dim A (mm)	Carton
15 metres		156	A
20 metres		196	A
36.5 metres*	20	236	A
45 metres*	30	276	B
Gross weight packed (without hose): 11.8kg			



Swinging Hose Reels 55SW			
19mm (3/4")	25mm (1")	Dim A (mm)	Carton
15 metres		190	A
20 metres		230	A
36.5 metres*	20	270	A
45 metres*	30	310	B
Gross weight packed (without hose): 14.9kg			



Recess Hose Reels 55RS			
19mm (3/4")	25mm (1")	Dim A (mm)	Carton
15 metres		180	A
20 metres		220	A
36.5 metres*	20	260	A
45 metres*	30	300	B
Gross weight packed (without hose): 13.6kg			



Tyco Fire Suppression & Building Products, Burlingham House, Hewett Road, Gapton Hall Industrial Estate, Great Yarmouth, Norfolk NR31 0NN, UK. Tel: +44 (0)1493 417600 Fax: +44 (0)1493 417700  
E-mail: macron-info@tycoint.com Web: www.macron-safety.com



# hosereels 55 series

# MACRON

## Performance data

A requirement of BS EN 671-1:2001 is that nozzles must be marked with their outlet equivalent diameter. The table to the right shows the performance of the Series 55 range when fitted with an approved nozzle with hose coiled on hose reel. Performance figures relate to automatic or manual hose reels.



### Consignment Data

Carton type	Size cm	Max. no. per 20ft container
A	63 x 57 x 26	324
B	63 x 57 x 30	252

### Performance Data

Reel type	Hose length	Nozzle equivalent diameter	Flow at 6 bar inlet pressure to hose reel		Throw at 2 bar inlet pressure to hose reel		
			jet	spray	jet	spray	
Fixed or swinging	19mm	30m x 19mm	6mm	44 lpm	47.5 lpm	11.43m	6.30m
	25mm	30m x 25mm	6mm	51 lpm	83 lpm	11.95m	6.66m

### Hose Weights

Additional weight when reels are supplied with hose tested to EN 694:

19mm (3/4") - 0.29kg/m

25mm (1") - 0.47kg/m

Package includes roller hose guide for fixed reels, stop valve for manual reels (gate valve as standard), red nylon nozzle with jet/spray action, hose clips and installation guide.

### Optional

Automatic valve	Back entry inlet
Lockshield valve	Flexible inlet on fixed models
Chrome plated brass nozzle	Ball valve on manual models

### Specification

Model	Name of part	Material
<b>FH</b> Fixed - Manual	Side plates	1.2mm steel, polyester powder-coated red
	Centre hub	Glass-filled polypropylene
	Axle	Gunmetal (LG2) to BS 1400
	Hose tail	Plumbing grade acetal homopolymer
	Gate valve (manual model only)	Brass to BS 5154
	Ball valve	1" BSPT to 90/396/EEC
	Inlet pipe	Galvanised steel to BS 1387 threaded male 1" BSPT
	Inlet elbow	Leaded gunmetal (LG2) to BS 1400
<b>SW + RS</b> Swing and Recess - Manual	Side plates	1.2mm steel, polyester powder-coated red
	Centre hub	Glass-filled polypropylene
	Axle	Gunmetal (LG2) to BS 1400
	Hose tail	Plumbing grade acetal homopolymer
	Support arm	6mm steel, black polyester powder coat
	Spindle	Leaded gunmetal (LG2) to BS 1400
	Swinging arm	Stainless steel
	Feed pipe	Mild steel tube BS 1387 threaded male 1" BSPT
<b>FH-A, SW-A, RS-A</b> A = Automatic valve	Automatic valve housing	Leaded gunmetal (LG2) to BS 1400
	Automatic valve	High impact acetal/stainless steel spring
	Lever	High impact acetal

Test pressure for fire hose reels (waterways including pipework and automatic valve) is 18 bar (260 psi)  
Minimum burst pressure: 30 bar (430 psi). Maximum working pressure: 12 bar (170 psi)

# hosereels 55 series compact



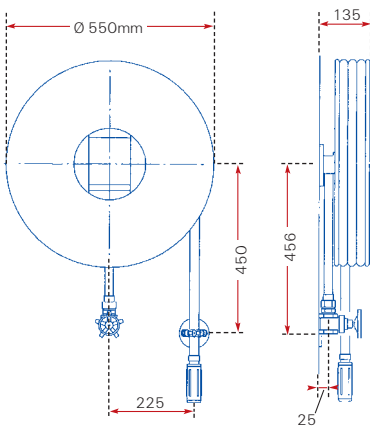
### Compact - space saver

The compact version of our popular 55 series hose reel especially suited to areas of restricted space such as corridors where recessing is not practical. Manufactured to the same stringent controls, these hose reels provide a space saving solution to fire safety.

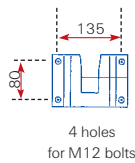
### features

- ▶ Compact design with minimum protrusion
- ▶ Easy to maintain
- ▶ Fast "hose on" installation
- ▶ Supplied fully assembled
- ▶ Available with gate or ball valve inlet
- ▶ Flexible inlet water pipe option
- ▶ CE marked

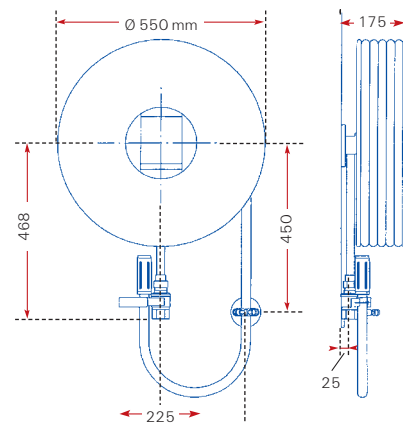
Hose 20m



Wall mounting plate



Hose 30m



Shown above with optional ball valve fitted with nozzle interlock



Specification		
Model	Name of part	Material
Compact	Side plates	1.2mm steel, polyester powder-coated red
	Centre hub	Glass-filled polypropylene
	Axle	Leaded gunmetal (LG2) to BS 1400
	Hose tail	Plumbing grade acetal homopolymer
	Gate valve	Brass to BS 5154
	Ball valve	1" lever operated
	Inlet pipe	Copper to EN 1057 R250. Chrome plated finish
	Wall mounting plate	4mm zinc plated steel

Capacities				
	Hose length	Reel width	Carton size	Gross weight excl. hose
A	20m	135cm	56 x 58 x 15cm	9.0kg
B	30m	175cm	56 x 58 x 20cm	9.5kg

How to specify: Product Code + RH (right handed) or LH (left handed).  
 Additional weight of 19mm tubing to EN 694 is 0.290 kg/m.  
 Maximum length of tubing cording to BS EN 671-1: 1995 is 30m.

